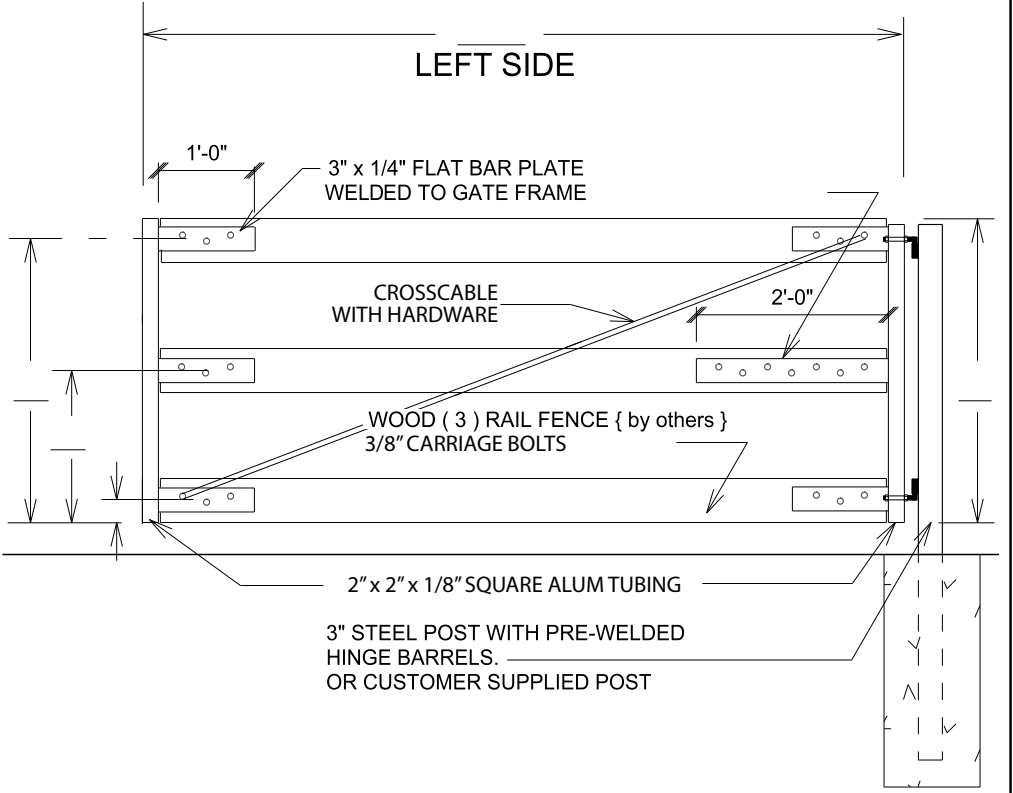


POST AND COLUMN SECTION (TYPICAL)



NOTE: THESE DRAWINGS ARE FOR REFERENCE ONLY. PLEASE CHECK LOCAL BUILDING CODES. CODE COMPLIANCE AND PROPER ENGINEERING ARE THE RESPONSIBILITY OF THE HOMEOWNER, OR INSTALLING CONTRACTOR. BERLIN ARCHITECTURAL DRAFTING INC. AND GATECRAFTERS.COM ACCEPTS NO LIABILITY OR RESPONSIBILITY FOR IMPROPER INSTALLATION OR CONSTRUCTION.

3'-6" HIGH 3 RAIL GATE KIT (8'-0" OR LESS WIDE)

BERLIN DRAFTING INCORPORATED <small>15619 PREMIERE DR. SUITE 103 TAMPA, FL. 33624</small> <small>sales@berlindrafting.net (813) 968-8038</small>	GATECRAFTERS.COM <small>13100 STATE RD. 54</small> <small>ODESSA, FL 33556</small>	<small>www.gatecrafters.com</small> <small>sales@gatecrafters.com</small> <small>1-800-537-GATE</small> <small>FAX TO 813-926-8460</small>
---	---	---